

# MBWT, MBWT-V

**SPHERICAL | SELF-LUBRICATING | WIDE**

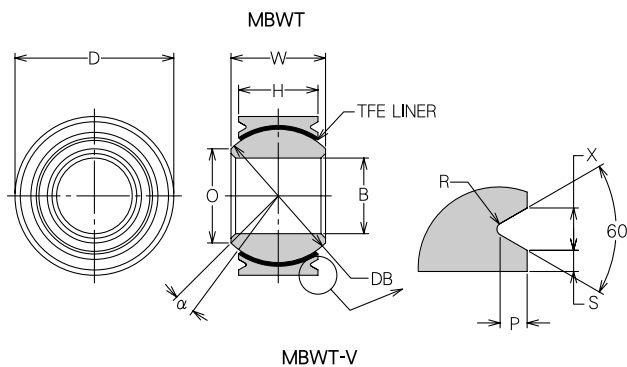
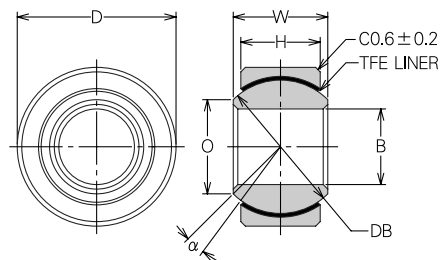
## Materials

RACE 410 Stainless Steel  
 BALL 440C Stainless Steel  
 LINER Teflon / Fabric

## Description of Types

**MBWT D xx V T**

- No Letter Indicates Standard Breakaway Torque  
 Letter "T" Indicates Low Breakaway Torque
- No Letter Indicates Chamfer Type  
 Letter "V" Indicates V-Groove Type
- Bearing Bore Code
- For X-1276 LINER add suffix "D"
- Basic Part No.



Dimensions in mm

MINEBEA Part No.	φB H7	φD 0 -0.013	W 0 -0.13	H ± 0.13	α (deg.)	φO Ref.	S φDB Ref.	No Load Rotational Breakaway Torque N · m	Staking Groove				Static Limit Load kN		Dynamic Load kN	Approx. Weight g		
									Standard	S 0 -0.25	X 0 -0.25	R 0 -0.25	P 0 -0.4	Radial			Axial	
MBWT5/MBWT5V	5	16.0	11.0	8.5	15	7.8	13.494	0.06 ~ 0.57 {0.6 ~ 5.8kgf · cm}	0.5	1.0	0.4	0.7	43.14	5.98	18.63	14		
MBWT6/MBWT6V	6			8.0	14	10.9	15.478						46.09	5.29			20.59	14
MBWT8/MBWT8V	8			17.5	10.5	8	12.2						17.462	68.64			9.21	30.40
MBWT10/MBWT10V	10	21.0	12.5	10.5	8	12.2	17.462	0.12 ~ 0.57 {1.2 ~ 5.8kgf · cm}	1.4	1.0	1.0	116.69	21.57	51.97	46			
MBWT12/MBWT12V	12	26.0	16.0	13.0	10	15.4	22.225					143.17	25.49	63.74	55			
MBWT14/MBWT14V	14	28.0	17.0	14.0	8	18.9	25.400					148.08		65.70	59			
MBWT15/MBWT15V	15	29.0	18.0	11	19.0	26.988	0.23 ~ 0.90 {2.3 ~ 9.2kgf · cm}	0.7	2.0	0.5	1.5	163.77	29.41	73.54	65			
MBWT16/MBWT16V	16	30.0	19.0	15.0	10	19.2						26.988	184.36	33.34	82.37	80		
MBWT18/MBWT18V	18	33.0	20.0	16.0	13	22.9						31.750	204.95		92.18	91		
MBWT20/MBWT20V	20	35.0	22.0	19.0	6	27.1	34.925	0.33 ~ 1.70 {3.4 ~ 17.3kgf · cm}	0.7	2.0	1.5	268.70	47.07	120.62	150			
MBWT22/MBWT22V	22	41.0		15	32.3	47.625	483.46					82.37	216.72	400				
MBWT25/MBWT25V	25	54.0		14	36.8	50.800	515.82						231.43	490				
MBWT28/MBWT28V	28	60.0	37.0	26.0	9	44.7	58.000	0.33 ~ 1.70 {3.4 ~ 17.3kgf · cm}	0.7	2.0	1.5	578.59	89.24	258.89	590			
MBWT30/MBWT30V	30	64.0		9	44.7	58.000	682.54					109.83	303.02					
MBWT35/MBWT35V	35	65.0		29.0	46.9	60.325	759.03					125.52	337.34	615				
MBWT40/MBWT40V	40	68.0	38.0	31.0	8	54.1	67.866	0.33 ~ 1.70 {3.4 ~ 17.3kgf · cm}	0.7	2.0	1.5	909.07	142.19	404.03	825			
MBWT45/MBWT45V	45	76.0	41.0	33.0	8	60.3	74.612					1059.11	156.90	470.71	995			
MBWT50/MBWT50V	50	82.0	44.0	35.0	8	60.3	74.612					1059.11	156.90	470.71	995			

## Notes

1. Teflon liner permanently bonded to race I.D.
  2. MBWT & MBWT-V weights are similar.
  3. Made to order only.
  4. No Load Rotational Breakaway Torque.  
 Low Torque All Size: 0.02N · m MAX  
 (Radial Clearance 0.05mm MAX)
- Please consult Minebea for availability of bearings in this series.

Bore size	~ 3	~ 6	~ 10	~ 18	~ 30	~ 50
H7 Tolerance (μm)	+ 10 0	+ 12 0	+ 15 0	+ 18 0	+ 21 0	+ 25 0